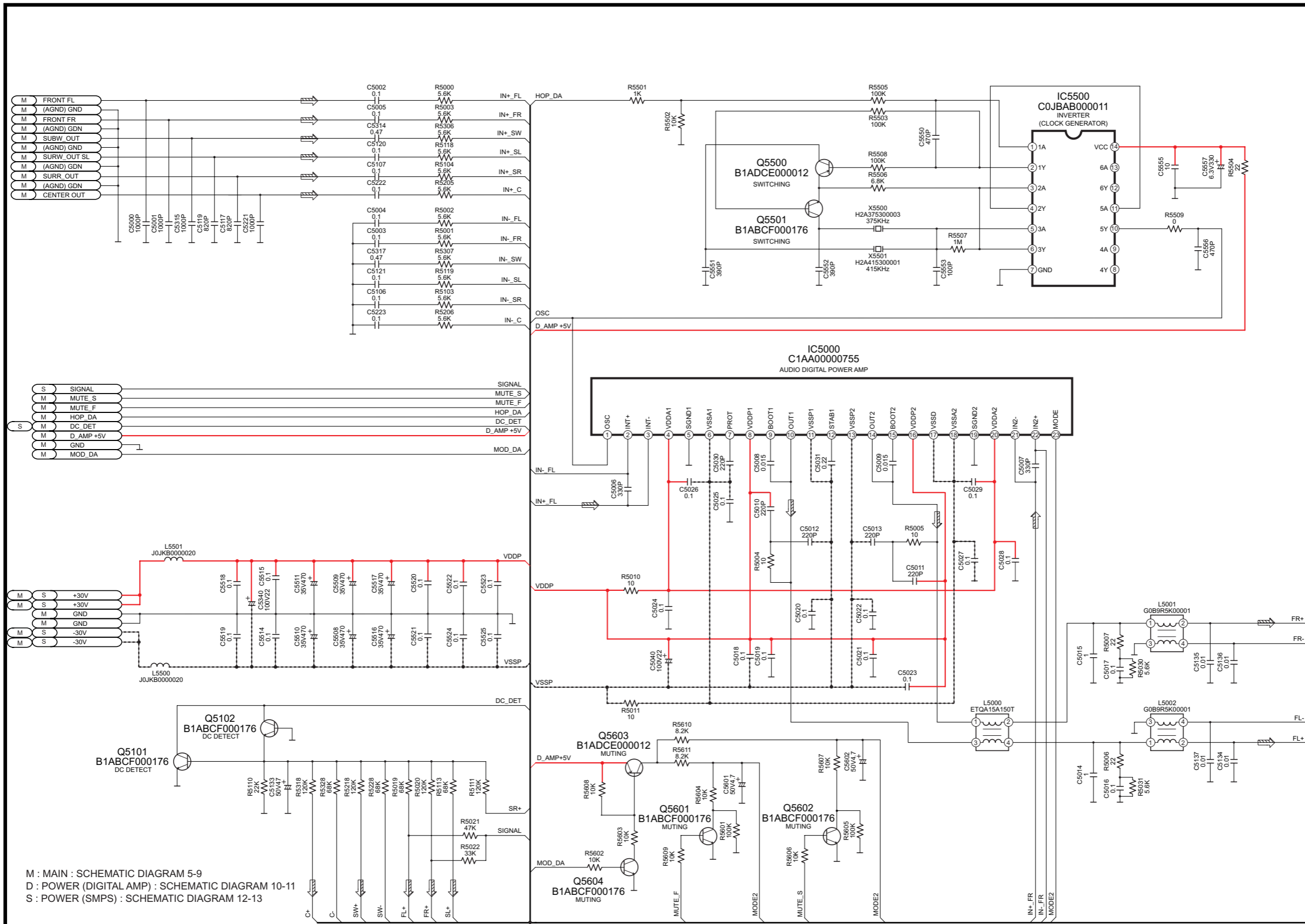


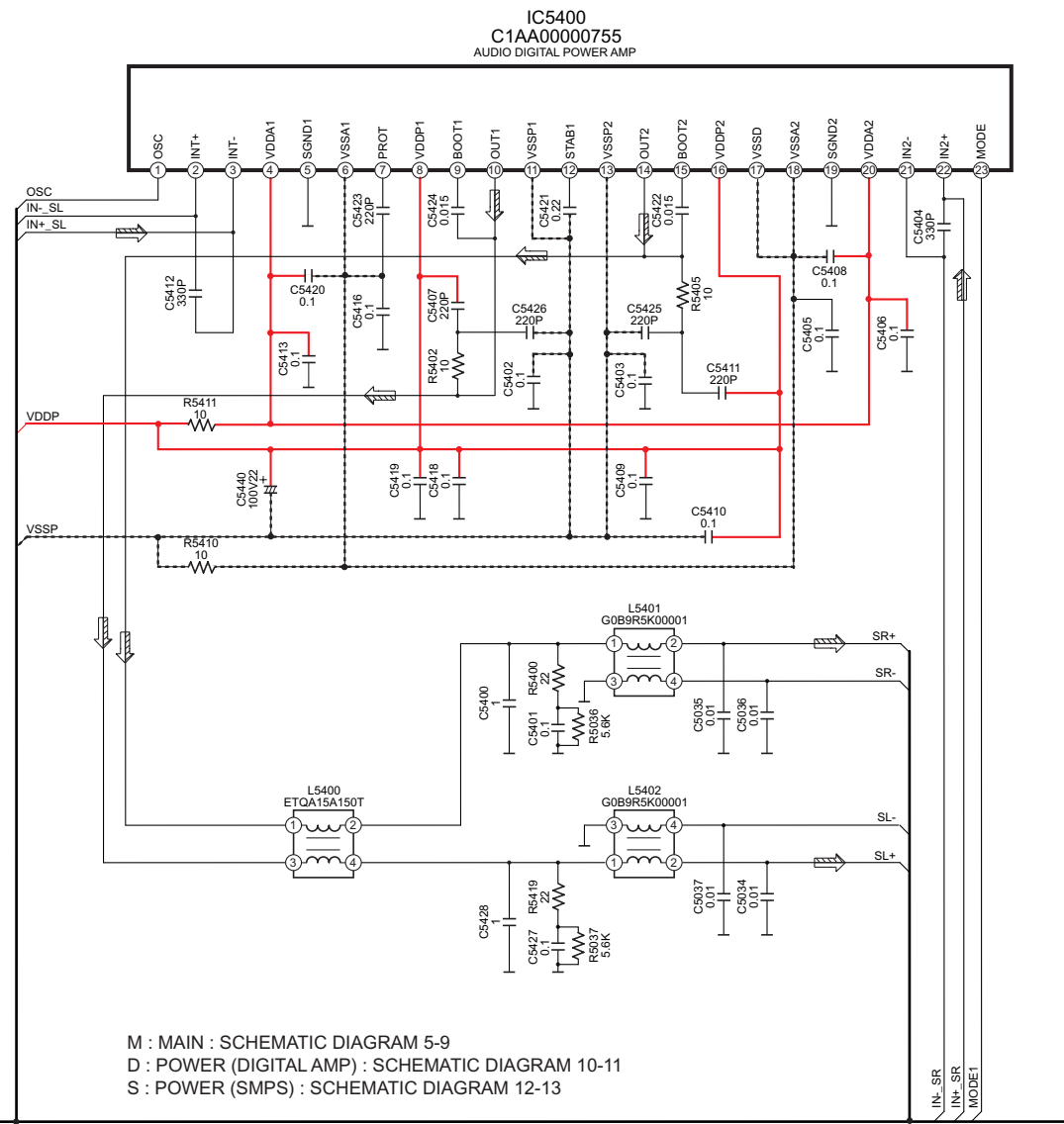
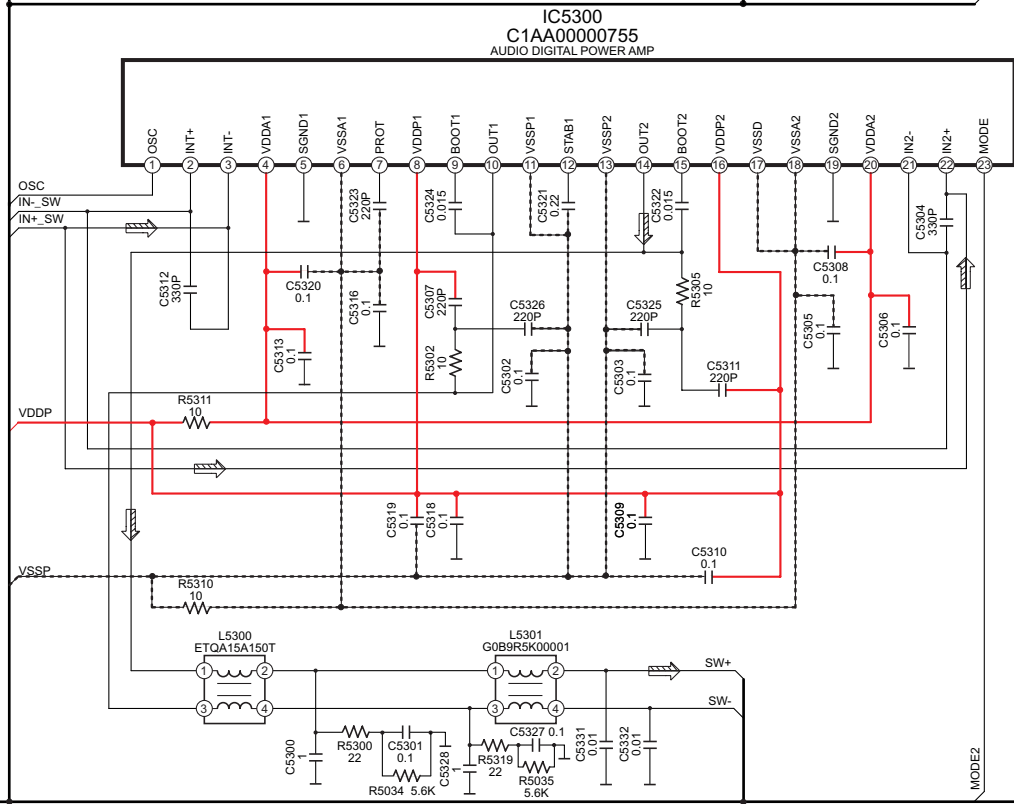
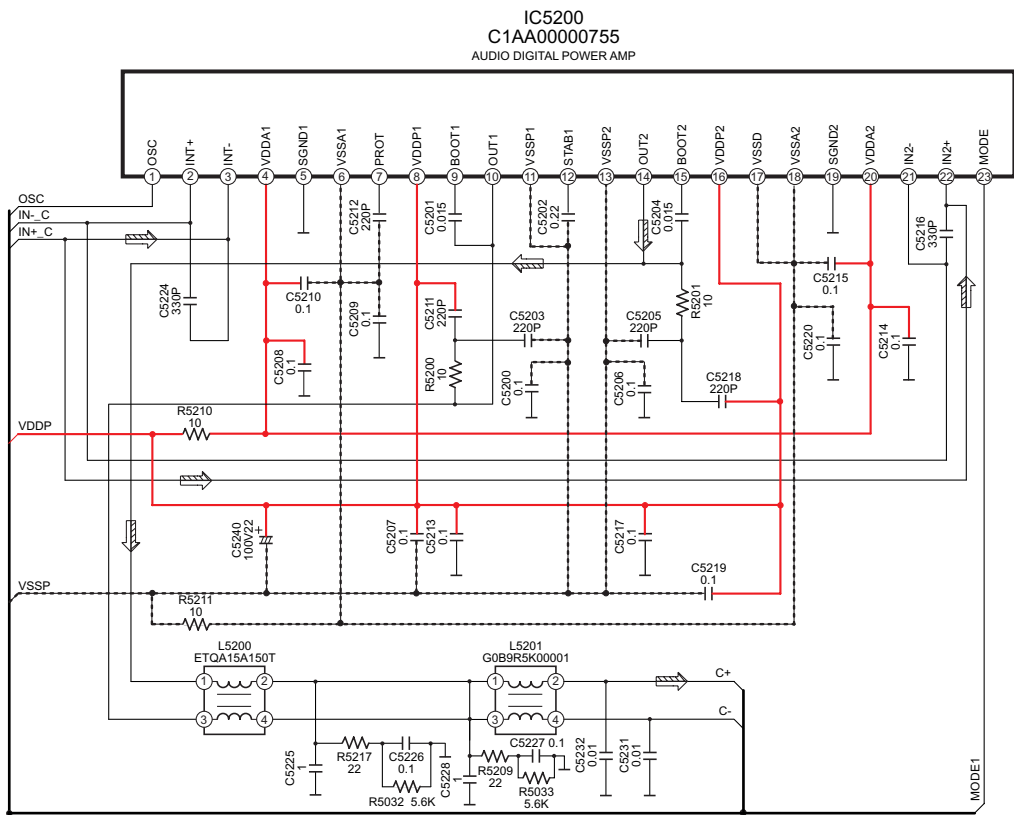
→ :MAIN SIGNAL LINE    — :+B SIGNAL LINE    - - - : -B SIGNAL LINE



M : MAIN : SCHEMATIC DIAGRAM 5-9  
 D : POWER (DIGITAL AMP) : SCHEMATIC DIAGRAM 10-11  
 S : POWER (SMPS) : SCHEMATIC DIAGRAM 12-13

**B** POWER(DIGITAL AMP) CIRCUIT

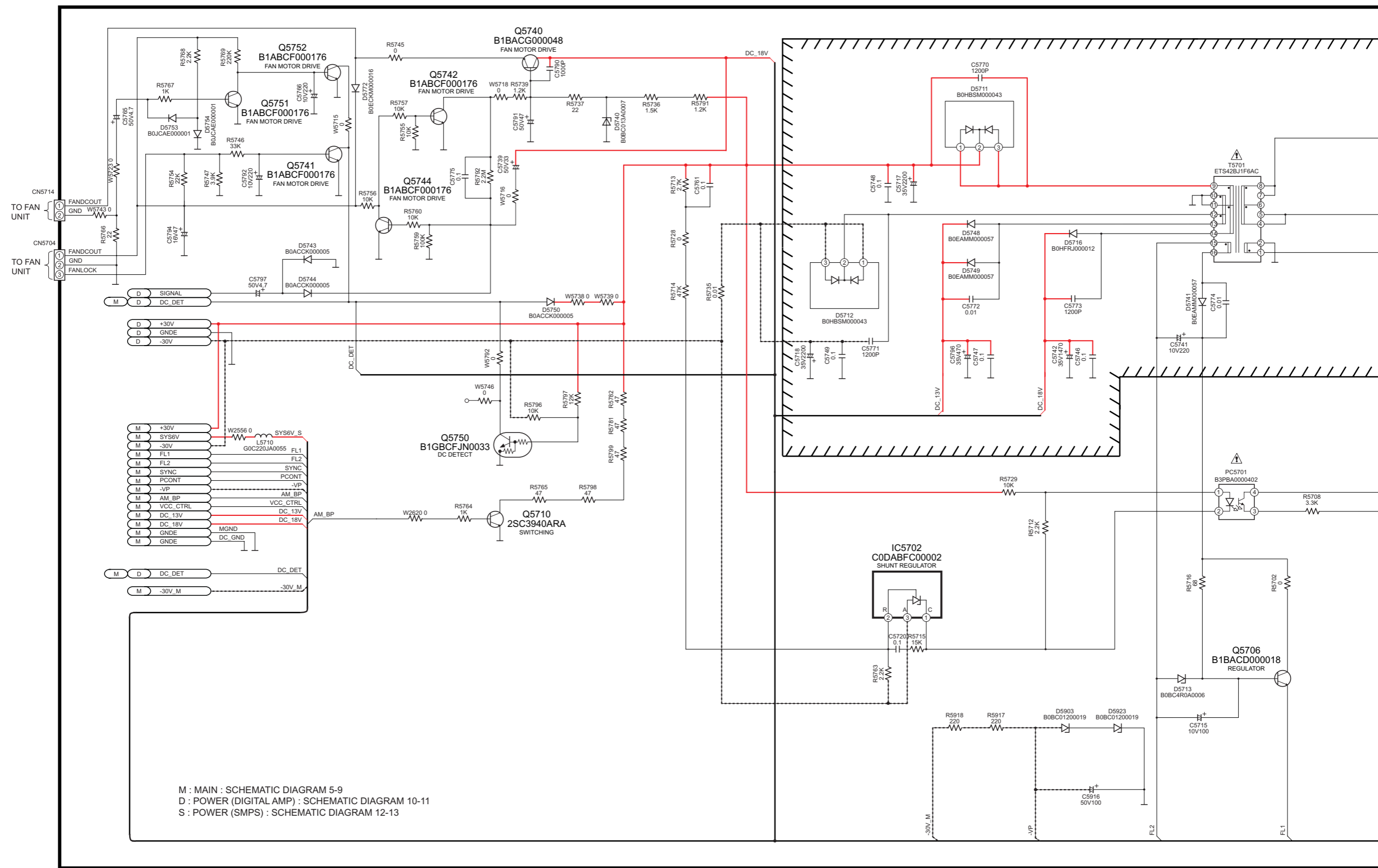
⇒ :MAIN SIGNAL LINE    - - - :+B SIGNAL LINE    - - - : -B SIGNAL LINE



M : MAIN : SCHEMATIC DIAGRAM 5-9  
 D : POWER (DIGITAL AMP) : SCHEMATIC DIAGRAM 10-11  
 S : POWER (SMPS) : SCHEMATIC DIAGRAM 12-13

**B** POWER(SMPS) CIRCUIT

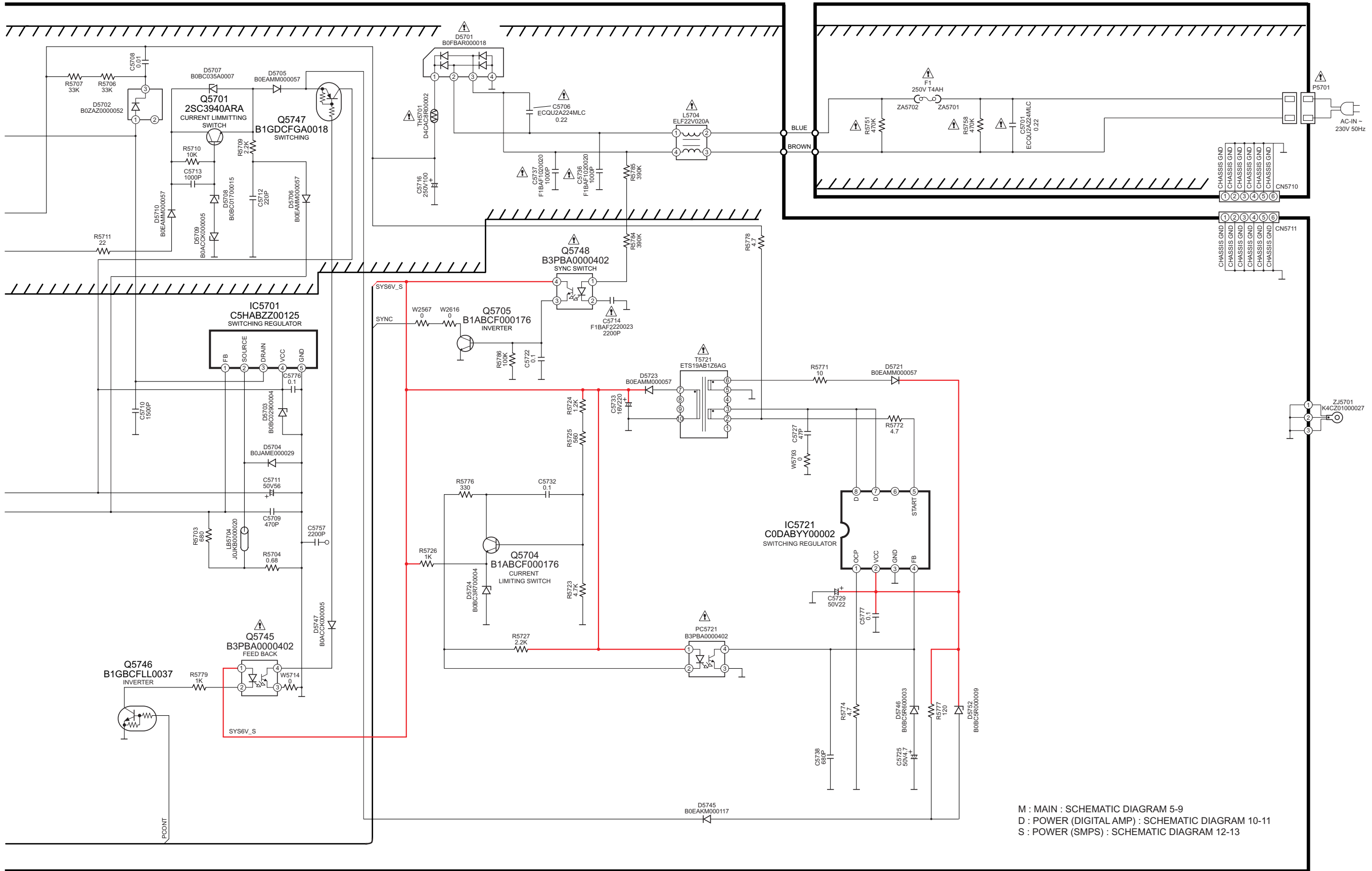
— :+B SIGNAL LINE    - - - :B SIGNAL LINE



M : MAIN : SCHEMATIC DIAGRAM 5-9  
 D : POWER (DIGITAL AMP) : SCHEMATIC DIAGRAM 10-11  
 S : POWER (SMPS) : SCHEMATIC DIAGRAM 12-13

**B** POWER(SMPS) CIRCUIT — :+B SIGNAL LINE

**D** AC-INLET CIRCUIT



M : MAIN : SCHEMATIC DIAGRAM 5-9  
 D : POWER (DIGITAL AMP) : SCHEMATIC DIAGRAM 10-11  
 S : POWER (SMPS) : SCHEMATIC DIAGRAM 12-13

SA-HT543EE POWER(SMPS)/ AC-INLET CIRCUIT